

ARTstream

Installation Manual



Before Installation

Read the following installation instructions carefully. Observe all local plumbing and building codes. Inspect the product for any damage before installation. If damage is found, please contact your sales rep. We do not accept responsibility for issues arising post-installation due to pre-existing damages.

ARTSTREAM can be installed utilizing both the bonded top side waterproofing method and the unbonded pan liner method.

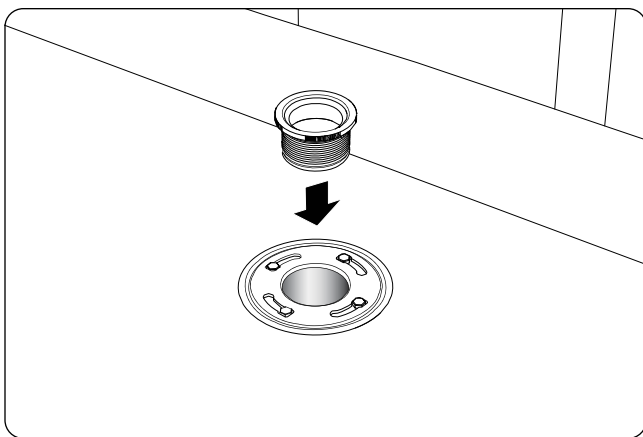
ARTstream

Installation Manual

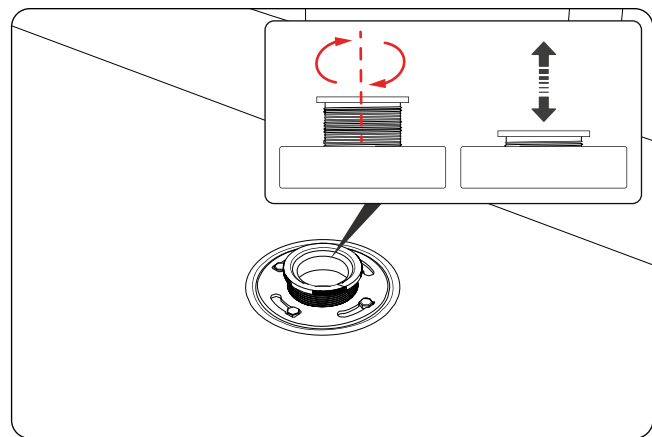


Unbonded Installation Instructions

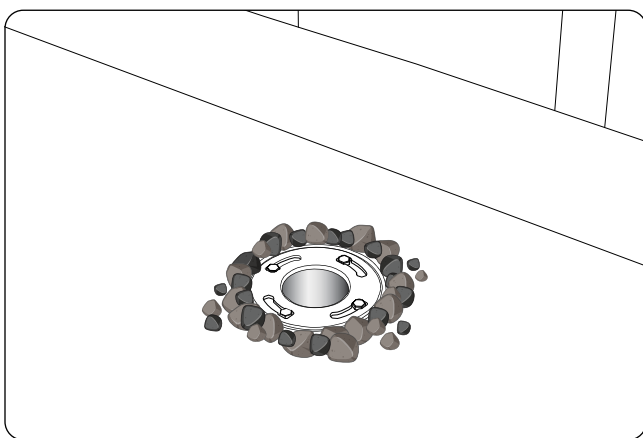
For the following instructions it is assumed that the preslope shower pan and 2 piece drain flange have been installed according to local building codes



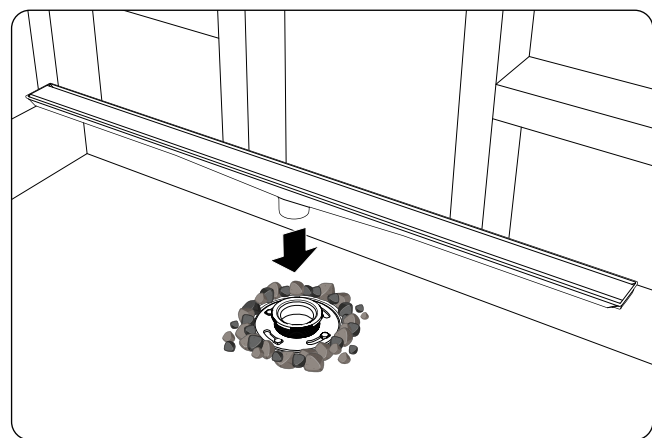
1. Screw the 2" threaded outlet adaptor into the existing drain flange.



2. Determine finish height of the drain taking into account for the finished mud bed/dry pack and thickness of tile being installed.



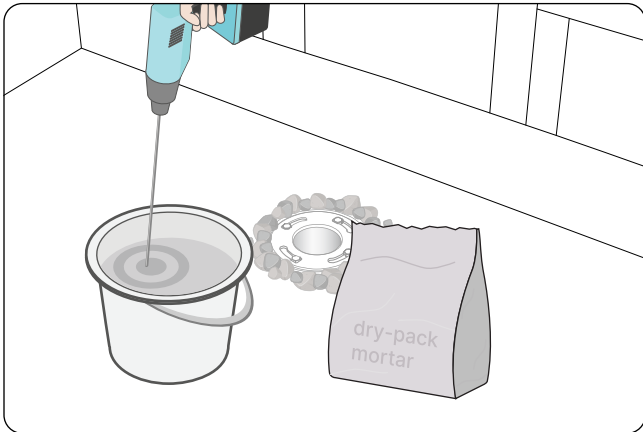
3. Place pea gravel over drain flange coupling weep holes and around perimeter to prevent mortar from filling and blocking holes.



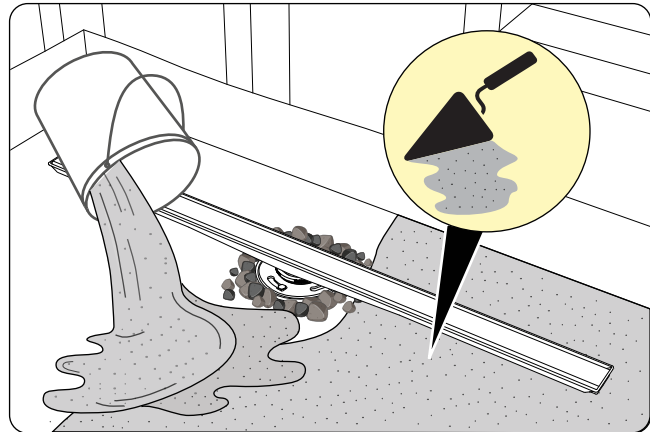
4. Push the stainless steel drain outlet tube into the 2" threaded adaptor.

ARTstream

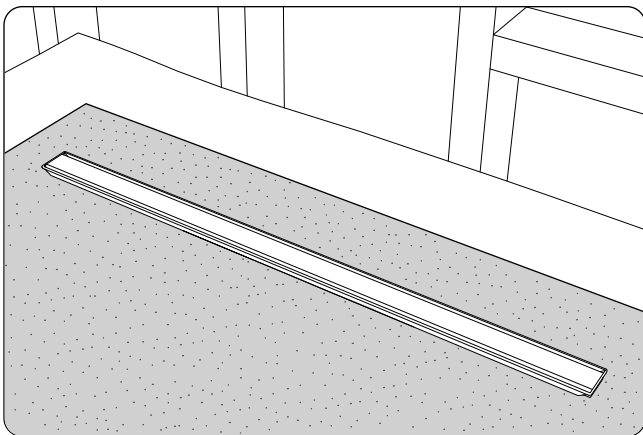
Installation Manual



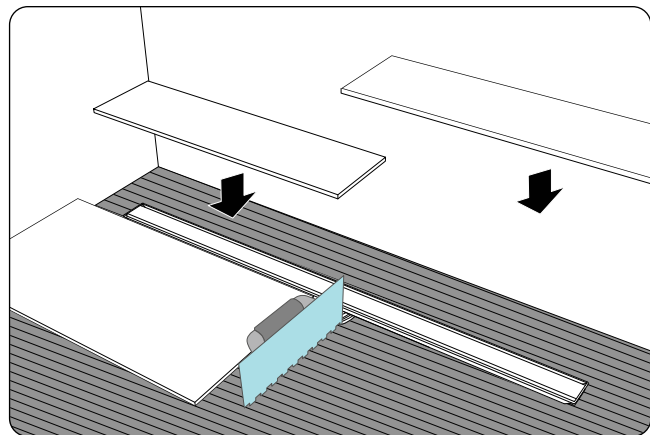
5. Mix mortar bed material according to manufacturer's recommendations. Pack mortar under the drain to support and make sure it's completely level in both directions.



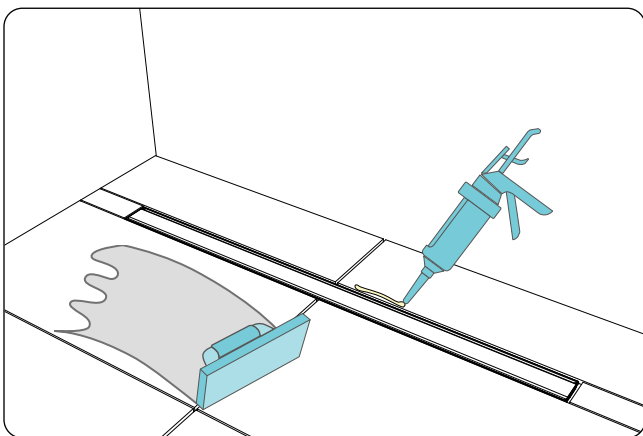
6. Apply the rest of the mortar over the shower pan, packing and screeding to insure a $\frac{1}{4}$ " per foot slope towards drain per code.
Note: Make sure to leave the mortar bed down the thickness of the tile and tile mortar from the top of the linear drain.



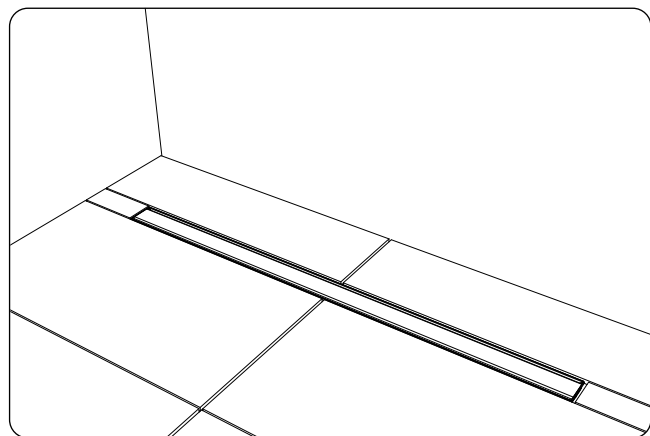
7. Allow mortar to cure.



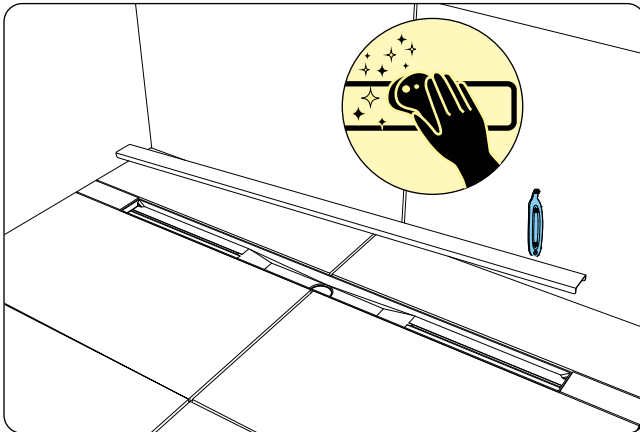
8. Install tile with manufacturer's recommended mortar. The tile should be flush with the top of the drain body.



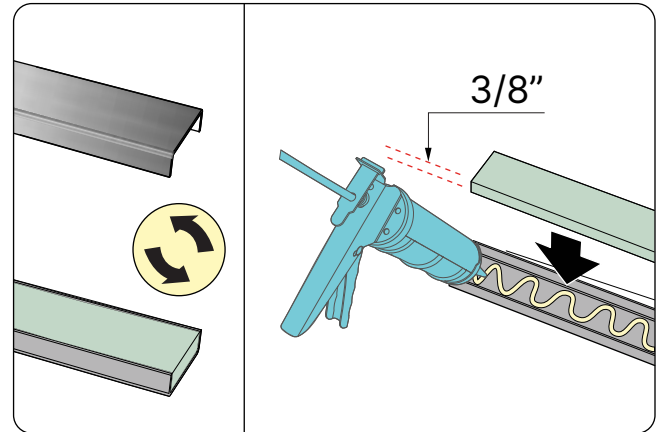
9. Once tiling and grouting are complete, apply a thin bead of silicone around the drain and tile.



10. Allow to cure per manufacturer's instructions.



11. Remove protection cover.



12. Install tile with MS polymer adhesive.

Cleaning and Maintenance

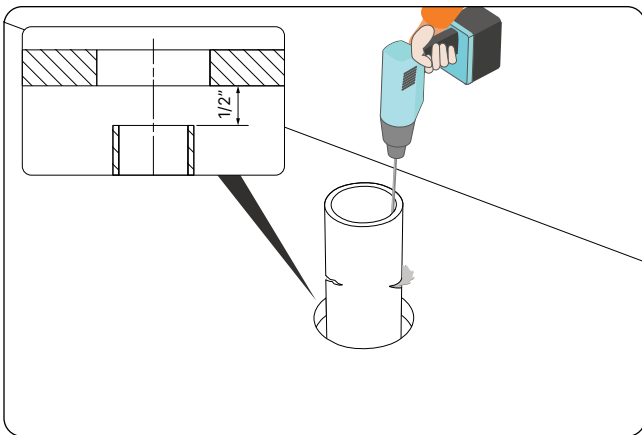
Use mild soap and a soft cloth for cleaning stainless steel and other surfaces. Avoid abrasive cleaners, scrubbing pads, and letting household cleaning agents (such as bleach) sit on the drain cover for extended periods. While stainless steel is rust-resistant, external factors like contact with ferrous metals, road salt, sea salt, or chlorine can cause surface rust. Regular maintenance is advised to prevent surface rusting, especially in areas with frequent exposure to harsh elements. For such environments, clean and maintain the stainless steel surface at least 2-3 times yearly.

ARTstream

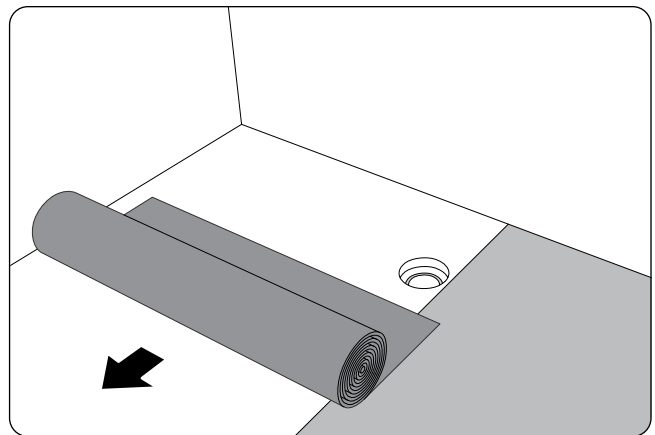
Installation Manual



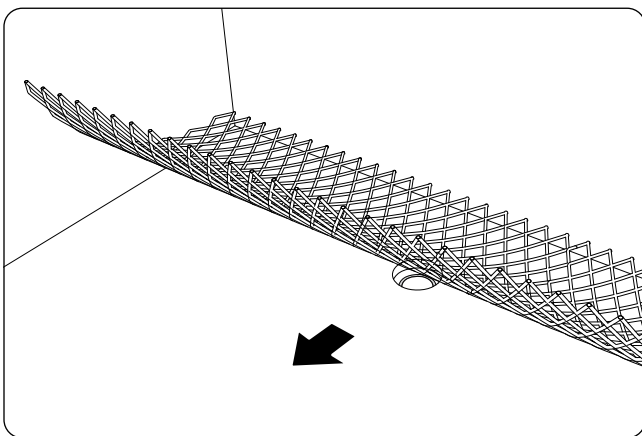
Bonded Installation Instructions



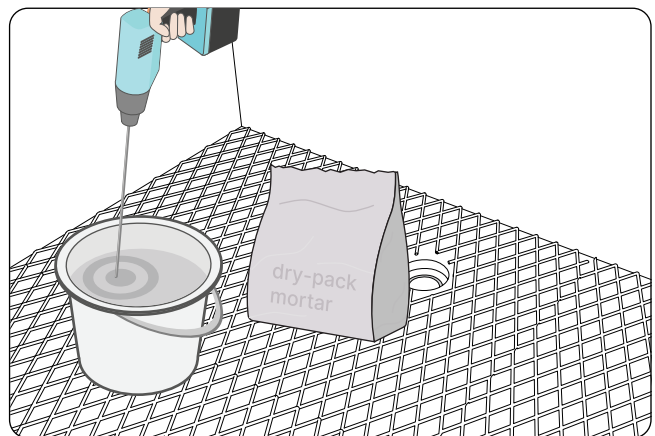
1. Using an inside pipe cutter, cut the existing 2" waste pipe 1/2" below the finished subfloor. (this will leave 1 1/2" to the top of the bonding flange).



2. Install a cleavage membrane .
(tar paper or plastic).



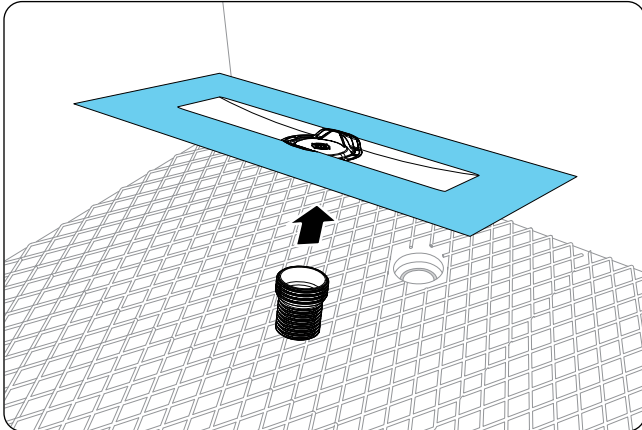
3. Install Galvanized metal lath and staple down.



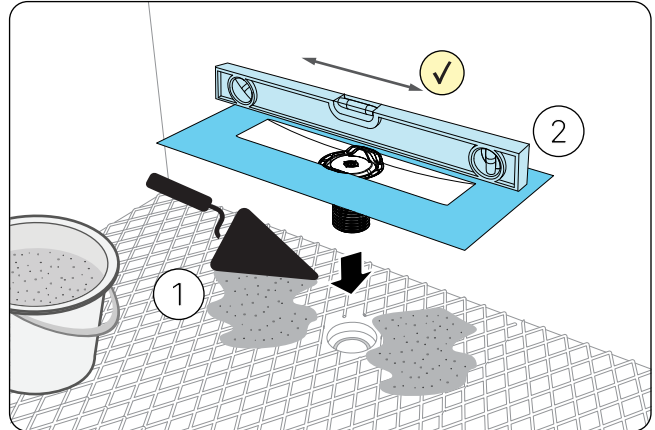
4. Mix up Drypack mortar.

ARTstream

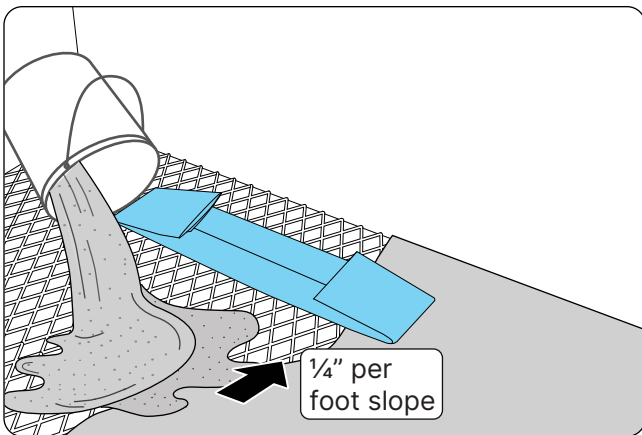
Installation Manual



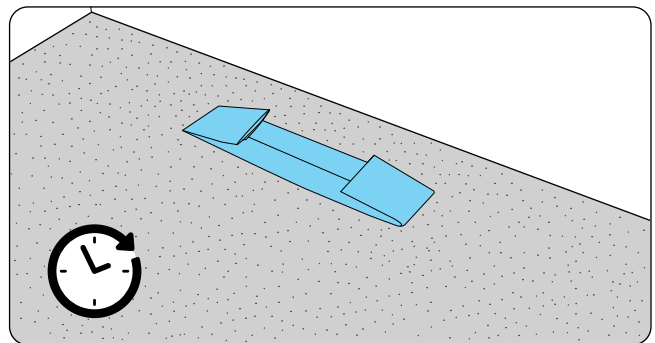
5. Install Grueconnect to the the bottom of the Integrated sealing membrane flange and lubricate the bottom of the Grueconnect with liquid soap.



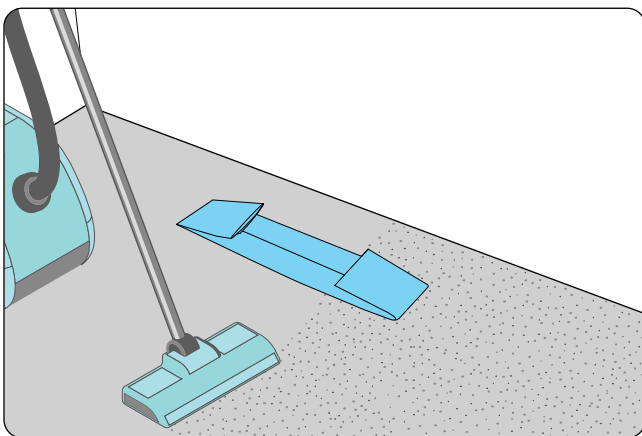
6. Place mortar on both sides of the drain hole. Place the Integrated sealing membrane flange with the Grueconnect into the floor drain flange. Push down to make a good connection and allow for a minimum of 1" space between the floor and the bottom of the Integrated sealing membrane flange. Pack mortar under flange and make sure it's level in both directions.



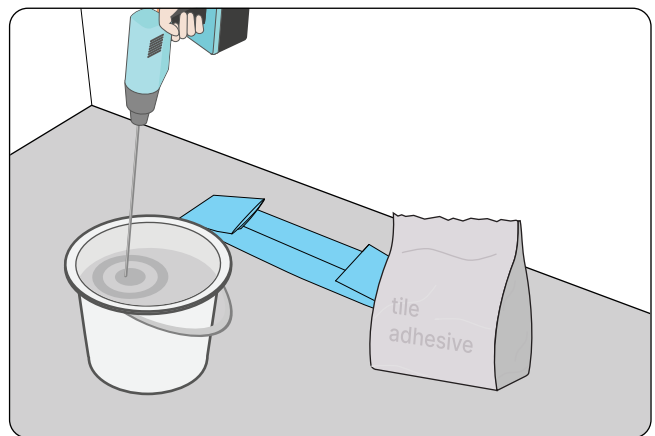
7. Install the remainder of the shower pan mortar, packing and screeding allowing a 1/4" per foot slope towards the drain according to code.



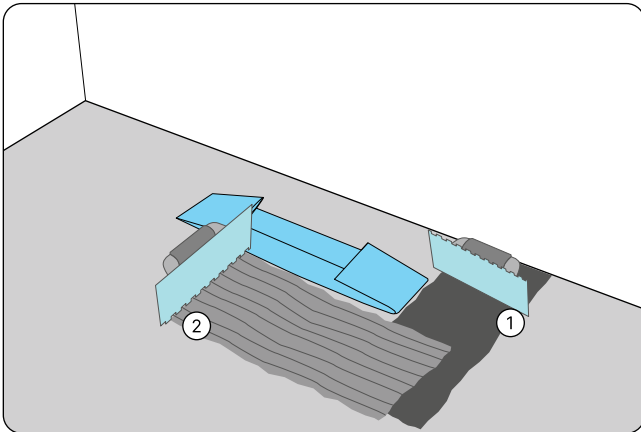
8. Allow mortar to cure



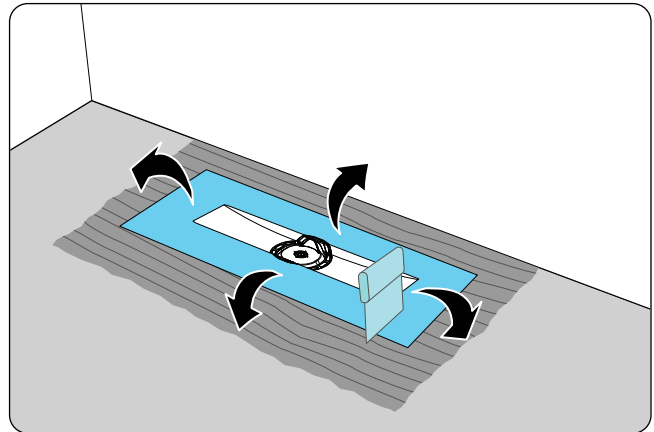
9. Vacuum surface well making sure of no loose debris.



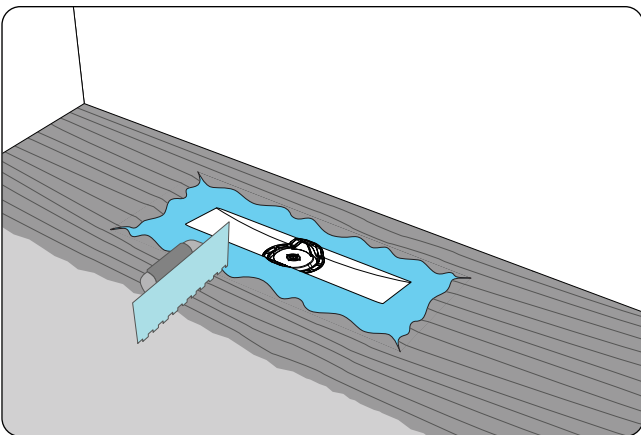
10. Mix approved tile mortar to a fairly fluid consistency.



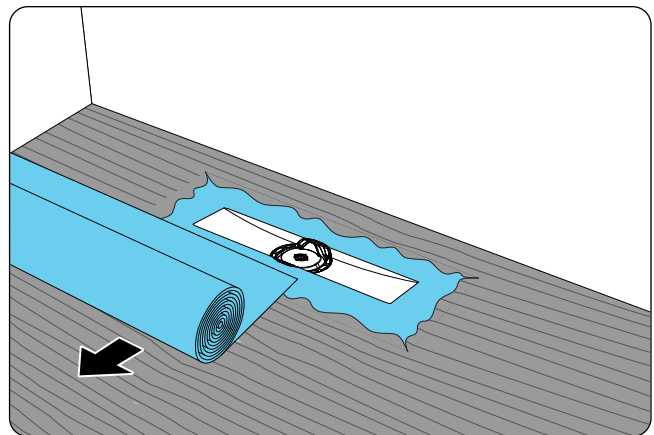
11. Using a ¼" x 3/16" V notch trowel, first flat trowel a layer of mortar around the perimeter of the Integrated sealing membrane flange. Then immediately apply additional mortar with the notch side.



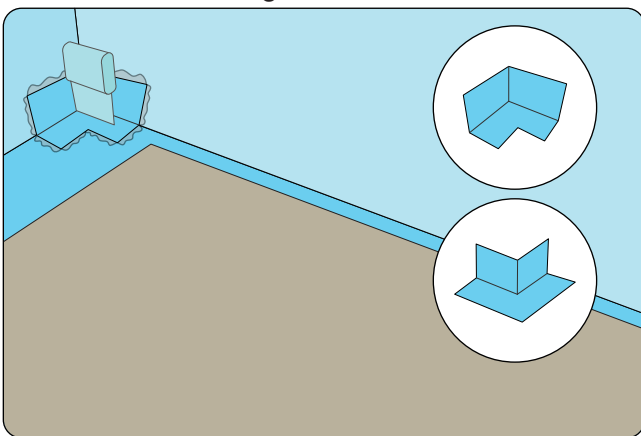
12. Unfold the membrane from the flange and place in the troweled mortar. Embed the membrane using the flat side of the trowel or drywall finishing knife. Ensure full coverage and remove all air pockets.



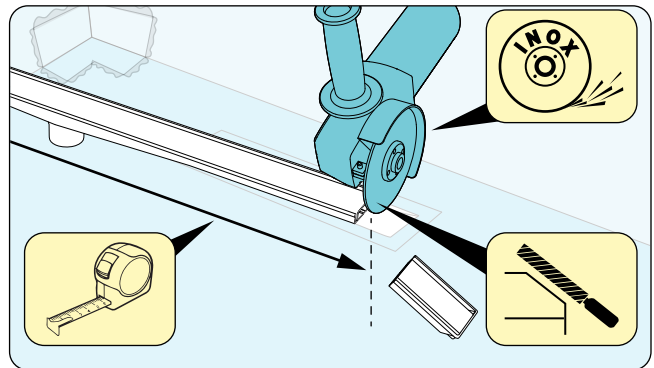
13. Install additional mortar on the shower floor. First flat rowel mortar then comb additional mortar with the notch side. Make sure to extend mortar at least 2" over the flange membrane on all sides.



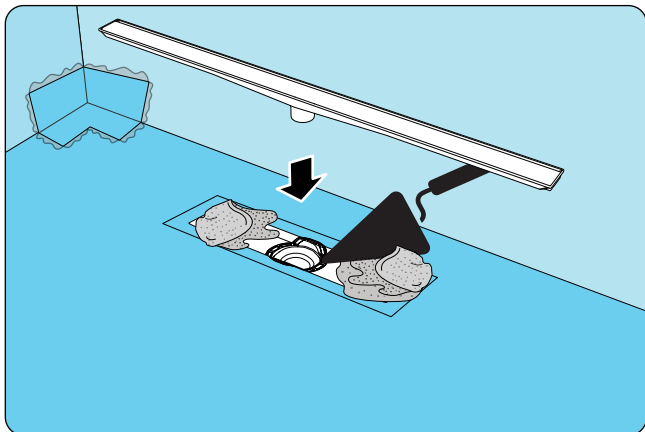
14. Measure sheet membrane allowing 2" overlap onto flange membrane and cut sheet membrane to size. Place sheet membrane into wet mortar and embed membrane using the flat side of a trowel or a drywall finishing knife. Make sure the membrane is well bonded and remove all air pockets.



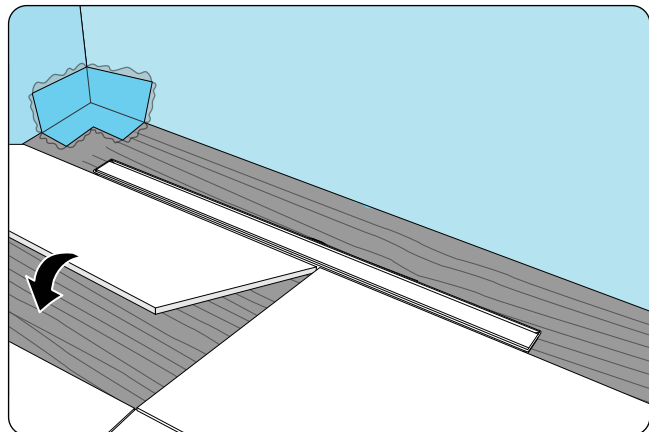
15. Place a sheet of cardboard over the membrane to protect and continue installing inside and outside corners.



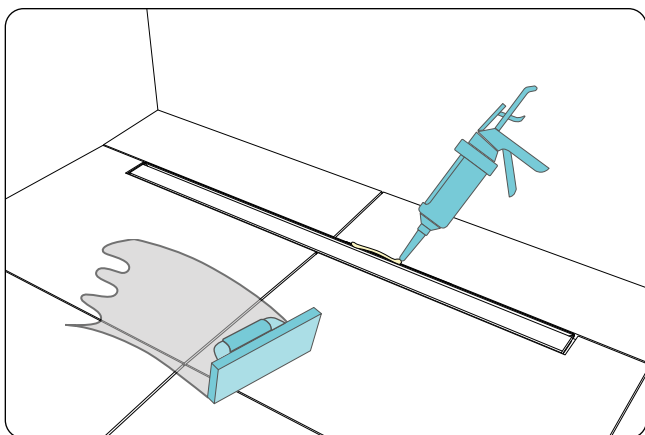
16. Measure the distance factoring in space for end caps. Do not cut past interior slope of drain body.



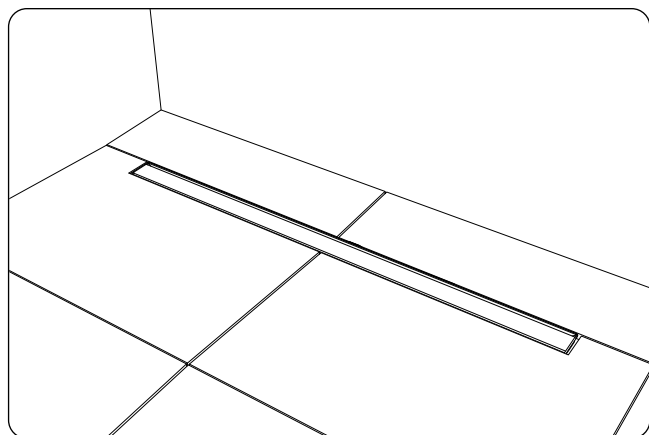
17. Place some mortar in the drain flange on both sides of the drain hole. Install the drain into the flange making sure it's seated well and level in both directions.



18. Install floor tile and grout once cured.



19. Install a bead of silicone between drain flange and tile.



20. Allow to cure per manufacturer's instructions.