

# LP1-L15E1

## Proline Shower Drain Cover Set



## Proline Shower Drain Cover Set

## Main Features

Proline by Gruen Systems - where strength meets functionality for advanced bonded membrane solutions. This product showcases an innovative design, highlighted by a removable cover that makes maintenance effortless. Proline stands out for its ease of cleaning and enhanced flexibility, thanks to Gruen's range of supplementary accessories. Proline combines robust performance with practicality, ideal for demanding environments, ensuring it's a top choice for those who value durability and adaptability in their projects.

- Drain Color: Brushed Stainless
- Drain Dimension: 15-3/4" (40cm)
- Cover: Nova
- Material: Stainless Steel

### Hersteller/Manufacturer

Gruen Systems USA  
3545 Broad Street St | Atlanta

(404) 480-2090  
info@gruen-systems.com

Seite/Page: 1/5

# LP1-L15E1

## Proline Shower Drain Cover Set

### Product Specs

| GENERAL INFO          |  |
|-----------------------|--|
| Product Name          | Proline Linear Shower Drain  |
| Available Length      | 15-3/4", 19-11/16", 23-5/8", 27-9/16", 31-1/2", 35-7/16", 39-3/8", 47-1/4" |
| Material              | Stainless Steel V2A / Polypropylene(PP)/ Waterproofing Membrane            |
| Supplied as           | Complete Set   |
| Installation          | New construction, commercial or renovation                                 |
| Tested Standard       | ASME A 112.18.2  |
| INSTALLATION          |  |
| Substrate             | Wooden, Concrete   |
| Floor Finish          | Ceramic, Stone, Mosaic   |
| Installation Option   | Wall, Entrance, Center of Shower   |
| Outlet                | Standard   |
| Connection            | 2" (Global)  |
| Drain Capacity        | 9 GPM (Average)  |
| DESIGN                |  |
| Frame /Cover Pattern  | 3D Rigid Solid Cover   |
| Cover Pattern Finish  | Solid  |
| Cover Width           | 2-3/8"   |
| Cover Tile Insert     | Yes  |
| Frame Material        | Stainless Steel V2A  |
| Frame Type            | Height Adjustable  |
| Wheelchair Accessible | Yes  |

#### Hersteller/Manufacturer

Gruen Systems USA  
3545 Broad Street St | Atlanta

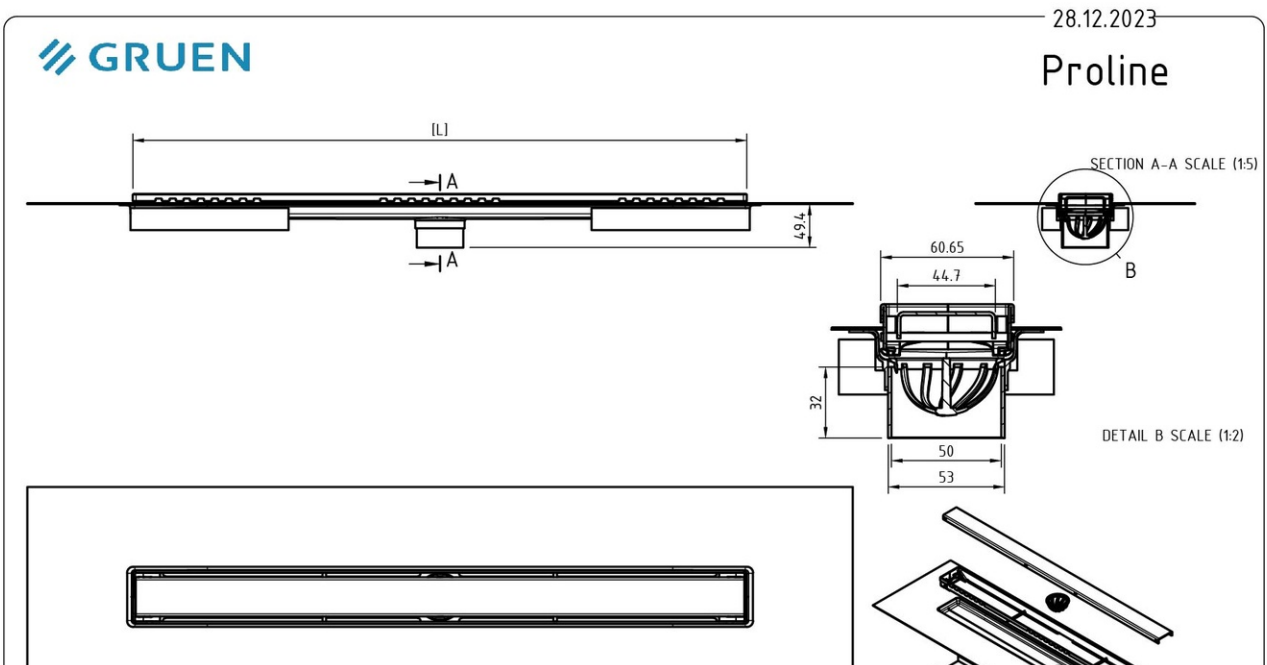
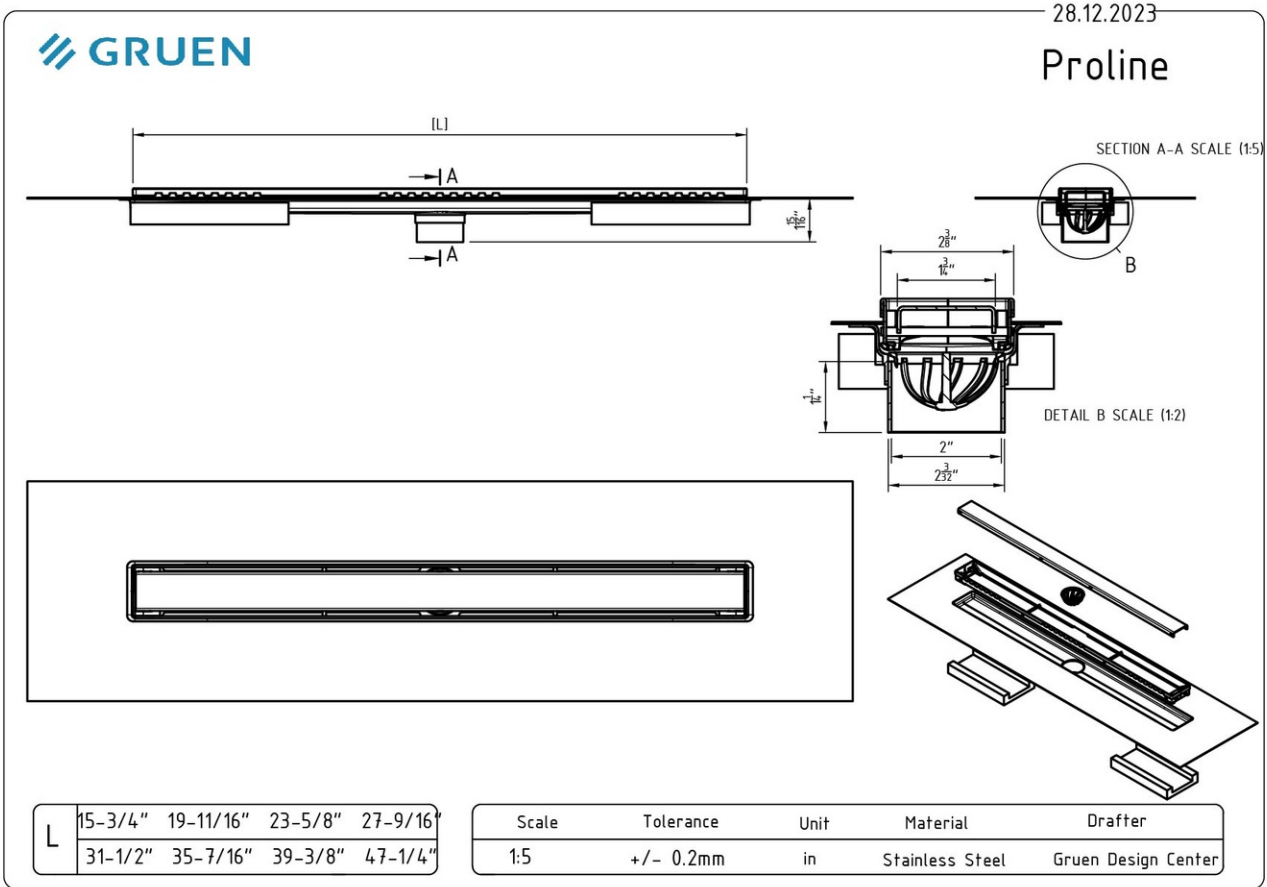
(404) 480-2090  
info@gruen-systems.com

Seite/Page:2/5

# LP1-L15E1

## Proline Shower Drain Cover Set

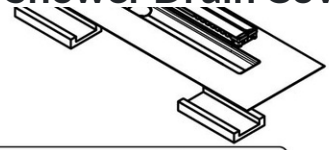
### Tech Draws



Hersteller/Manufacturer

# LP1-L15E1

## Proline Shower Drain Cover Set



|   |                       |
|---|-----------------------|
| L | 40cm 50cm 60cm 70cm   |
|   | 80cm 90cm 100cm 120cm |

|       |           |      |                 |                     |
|-------|-----------|------|-----------------|---------------------|
| Scale | Tolerance | Unit | Material        | Drafter             |
| 1:5   | +/- 0.2mm | mm   | Stainless Steel | Gruen Design Center |

**Hersteller/Manufacturer**

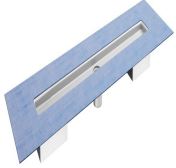





Gruen Systems USA  
3545 Broad Street St | Atlanta

(404) 480-2090  
info@gruen-systems.com

# LP1-L15E1

## Proline Shower Drain Cover Set

### Accessory Products

| Product No.  | Product Name                  | Product Picture   |
|--------------|-------------------------------|---|
| LPB-V17L23E1 | Proline Shower Drain Body Kit |    |
| LPB-V17L27E1 | Proline Shower Drain Body Kit |    |
| LPB-V17L31E1 | Proline Shower Drain Body Kit |   |
| LPB-V17L35E1 | Proline Shower Drain Body Kit |  |
| LPB-V17L39E1 | Proline Shower Drain Body Kit |  |
| LPB-V17L47E1 | Proline Shower Drain Body Kit |  |

**Hersteller/Manufacturer**

Gruen Systems USA  
3545 Broad Street St | Atlanta

(404) 480-2090

info@gruen-systems.com

Seite/Page:5/5